

## SLOANE

### *3 Light Shadelier Bespoke With Bespoke Shade*

The Sloane range is a confident expression of texture and craftsmanship, defined by its distinctive hand-hammered metalwork and refined, architectural form. Available in either a rich bronze or softly aged pewter finish, each piece celebrates depth and character through its tactile surface and considered proportions. Paired with bespoke fabric shades, available in a curated selection of our own fabrics and colours, ensuring a tailored finish to suit its interior setting. Striking yet elegantly restrained, Sloane brings warmth, structure and timeless presence to both classic and contemporary spaces.



The Sloane comes complete with a Bespoke Fabric Drum shade.

Height is adjustable at the point of installation (38-88cm).

Bulb not included; takes 3 x 60W max SES CNDL. We recommend our BUL-EI 4-LED-15 bulb. [Click here to shop.](#)

Dimmable when paired with suitable bulbs.

#### Bespoke Shades

Our high quality fabric shades, hand crafted in our Oxfordshire workshop by our sister brand The Light Shade Studio, with a choice of luxurious fabrics in 100% Dupion Silk, Satin or Linen in an array of shapes, sizes, and colours. If you would like to supply your own fabric, then please contact us to discuss your personalised requirements. Customise your shade by using our product configurator to see your design before placing an order.

#### Returns

As our bespoke or customised fittings are made to your specific specification, these are not covered by our standard returns policy. We are unable to offer refunds after the initial 24 hour cooling off period. Please see our [Terms and Conditions](#) for more details. None of the above affects your statutory rights where goods are faulty or not as described.

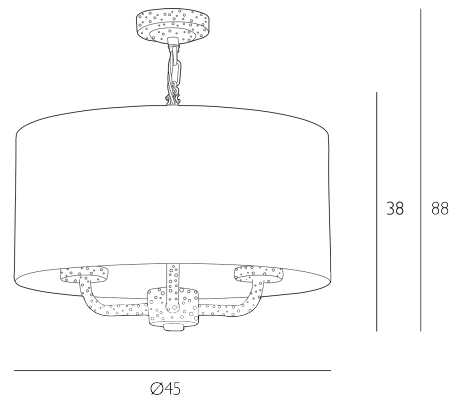
---

## SPECIFICATIONS:

Product code:	SLO03
Measurements:	H min38 - max88 x Ø45cm
Primary Associated Shade:	DRS45
Lamp Replaceable:	Yes
Finish:	Bespoke
Material:	Resin
Cable Colour:	Braided Brown
Shade Included:	Shade Inc
Primary Bulb Detail:	3 x 60w max SES CNDL
Bulb Included:	Lamps not included
Recommended Lamp:	BUL-EI 4-LED-15

Suitable:  
Electrical Class:  
Nett Weight (kg):

Indoor  
Class I - Earthed  
2.3 kg  
⚡ HIA



***Additional Information:***  
Supplied with 120cm of cable

[www.davidhuntlighting.co.uk](http://www.davidhuntlighting.co.uk)

[sales@davidhuntlighting.co.uk](mailto:sales@davidhuntlighting.co.uk)

01295 672 628