

WINDSOR

4 Light Pendant Aged Silver Fitting Only

The Windsor collection of pendants showcases an angular cage in two styles.

The Windsor is sold as a fitting only; shades are sold separately. We recommend our BOD0515 shade. [Click here to shop.](#)

Height is adjustable at the point of installation (80-130cm).

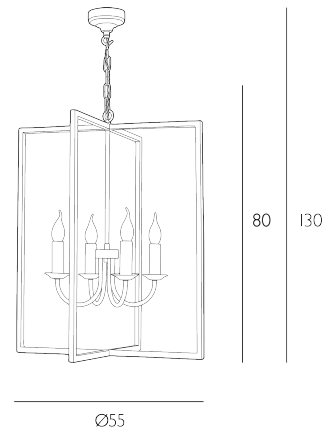
Bulb not included; takes 4 x 40W max SES CNDL. We recommend our BUL-E14-LED-14 bulb. [Click here to shop.](#)

Dimmable when paired with suitable bulbs.



SPECIFICATIONS:

Product code:	WIN0446
Measurements:	H min80 - max130 x Ø55cm
Primary Associated Shade:	BOD0515
Lamp Replaceable:	Yes
Finish:	Aged Silver
Material:	Metal
Cable Colour:	Braided Brown
Shade Included:	Fitting Only
Primary Bulb Detail:	4 x 40w max SES CNDL
Bulb Included:	Lamps not included
Recommended Lamp:	BUL-E14-LED-14
Suitable:	Indoor
Electrical Class:	Class I - Earthed
Nett Weight (kg):	5 kg



Additional Information:

This fitting, including its packaging, may not fit through entryways less than 65cm wide. Please check before placing your order