

CLYDE

Bathroom Ceiling Light Polished Chrome and Opal Glass IP44

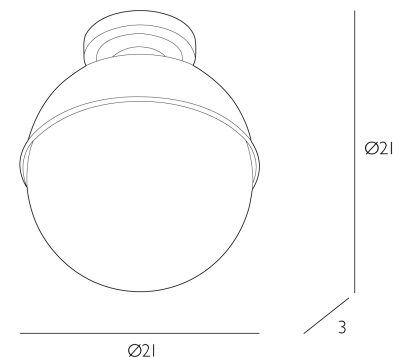
With its timeless silhouette and IP44 practicality, the Clyde Pendant is a sleek, globe-style ceiling light designed specifically for bathroom use. Featuring a polished chrome dome and a softly glowing opal glass diffuser, Clyde offers clean, ambient illumination that suits both traditional and modern interiors. Its compact form is ideal for lower ceilings or layered lighting schemes, while the IP44 rating ensures safety and durability in damp environments.

Bulb not included; takes 1 x 40W max ES GLS. We recommend our BUL-E27-LED-17 bulb. [Click here to shop.](#)
Dimmable when paired with suitable bulbs.



SPECIFICATIONS:

Product code:	CLY5850
Measurements:	H3 x Ø21 cm
Finish:	Opal Glass & Polished Chrome
Material:	Glass & Metal
Shade Included:	Not Required
Primary Bulb Detail:	1 x 40w max ES GLS
Bulb Included:	Lamp not included
Recommended Lamp:	BUL-E27-LED-17
Suitable:	Bathroom Zones 1 & 2
Electrical Class:	Class 1 - Earthed
Nett Weight (kg):	0.9 kg



Additional Information:

Lamp not included. We recommend our BUL-E27-LED-17 bulb