

HUNTER

2 Light Wall Light Polished Chrome With Bespoke Shade

Modern elegance meets tactile craftsmanship in this exciting addition to our beloved Hunter Collection. Now available to customise with our 18 colour paint palette and with a new sleek and contemporary chrome finish, Hunter is a striking family of lighting defined by its signature woven detailing. Each piece combines polished metal with luxuriously textured inserts, adding depth and warmth to the contemporary profiles. Rich fabric shades in vivid hues or soft neutrals cast a gentle glow, while the distinctive woven elements nod to artisanal heritage and craftsmanship. The Hunter Collection includes pendants, wall lights, table and floor lamps perfect for bringing cohesive, high design lighting into both modern and transitional spaces.

Bulb not included; takes 2 x 40W max SES GB. We recommend our BUL-E14-LED-15 bulb. [Click here to shop.](#)
Dimmable when paired with suitable bulbs.

Bespoke Shades

Our high quality fabric shades, hand crafted in our Oxfordshire workshop by our sister brand The Light Shade Studio, with a choice of luxurious fabrics in 100% Dupion Silk, Satin or Linen in an array of shapes, sizes, and colours. If you would like to supply your own fabric, then please contact us to discuss your personalised requirements. Customise your shade by using our product configurator to see your design before placing an order.

Returns

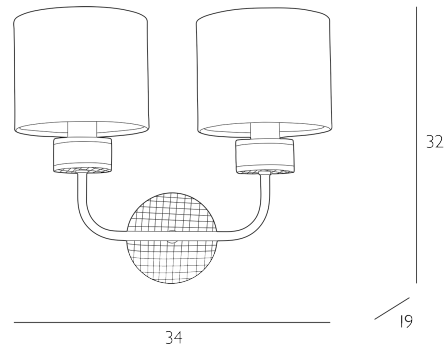
As our bespoke or customised fittings are made to your specific specification, these are not covered by our standard returns policy. We are unable to offer refunds after the initial 24 hour cooling off period. Please see our Terms and Conditions for more details. None of the above affects your statutory rights where goods are faulty or not as described.



SPECIFICATIONS:

Product code:	HUN09
Measurements:	D19 x H32 x W34cm
Primary Associated Shade:	S0699
Finish:	Bespoke & Polished Chrome
Material:	Resin & Stainless Steel
Shade Included:	Shade Inc
Primary Bulb Detail:	2 x 40w max SES GB
Bulb Included:	Lamps not included
Recommended Lamp:	BUL-E14-LED-15
Suitable:	Indoor
Electrical Class:	Class I - Earthed

Nett Weight (kg): 0.8 kg
± 0.1



Additional Information:

Lamps not included. We recommend our BUL-E14-LED-15 bulb

www.davidhuntlighting.co.uk

| sales@davidhuntlighting.co.uk

| 01295 672 628