

## WILLOW

### *4 Light Pendant Bronze With Bespoke Shade & Baffle*

The Willow collection is inspired by the traditional willow reeds made to weave baskets and crafts. We wanted to honour this wonderful material by creating a lighting collection that celebrates the versatility of Willow. Created using our hybrid resin technique the Willow collection picks up the detail of Willow reeds perfectly.

This version of the Willow Pendant comes complete with a bespoke baffle. The Willow comes complete with a Bespoke Fabric Drum shade. Height is adjustable at the point of installation (35-85cm). Bulb not included; takes 4 x 60W max ES GLS. We recommend our BUL-E27-LED-17 bulb. [Click here to shop.](#) Dimmable when paired with suitable bulbs.

#### Bespoke Shades

Our high quality fabric shades, hand crafted in our Oxfordshire workshop by our sister brand The Light Shade Studio, with a choice of luxurious fabrics in 100% Dupion Silk, Satin or Linen in an array of shapes, sizes, and colours. If you would like to supply your own fabric, then please contact us to discuss your personalised requirements. Customise your shade by using our product configurator to see your design before placing an order.

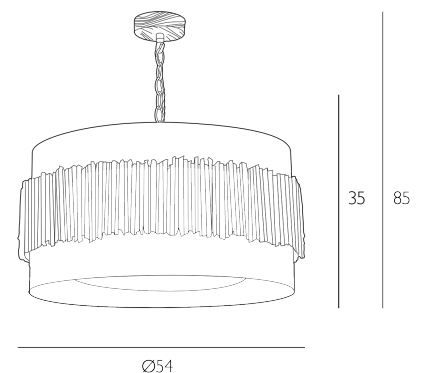
#### Returns

As our bespoke or customised fittings are made to your specific specification, these are not covered by our standard returns policy. We are unable to offer refunds after the initial 24 hour cooling off period. Please see our [Terms and Conditions](#) for more details. None of the above affects your statutory rights where goods are faulty or not as described.



## SPECIFICATIONS:

Product code:	WIL049B
Measurements:	H min35 - max85 x Ø54cm
Primary Associated Shade:	WIL40
Finish:	Bronze
Material:	Resin
Cable Colour:	Braided Brown
Shade Included:	Shade Inc
Primary Bulb Detail:	4 x 60w max ES GLS
Bulb Included:	Lamps not included
Recommended Lamp:	BUL-E27-LED-17
Suitable:	Indoor
Electrical Class:	Class I - Earthed
Nett Weight (kg):	5 kg
	± 0.1A



***Additional Information:***

This fitting, including its packaging, may not fit through entryways less than 65cm wide. Please check before placing your order | Please be aware this fitting weighs 5.0kg, please ensure you have adequate fixings and support to raise and install this fitting in the intended location

*www.davidhuntlighting.co.uk*

| *sales@davidhuntlighting.co.uk*

| *01295 672 628*