

ETHEL

Pendant Pink Glass and Antique Brass

This year sees the introduction of two charming new glass pendant designs, of which ETHEL is one. Delicate pieces of 'handkerchief' glass have been hand-dyed to create three beautiful stained colour ways; TOBACCO, AZALEA and MOSS, alongside a neutral CLEAR option. ETHEL is paired with SOLID BRASS hardware and an OATMEAL braided cable. There is also a matching wall light design to complement the pendant. Shown in AZALEA.

Height is adjustable at the point of installation (28-128cm).

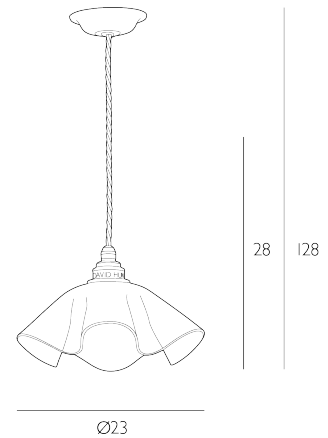
Bulb not included; takes 1 x 60W max ES GLS. We recommend our BUL-E27-LED-15 bulb. [Click here to shop.](#)

Dimmable when paired with suitable bulbs.



SPECIFICATIONS:

Product code:	ETH0103
Measurements:	H min28 - max128 x Ø23cm
Lamp Replaceable:	Yes
Finish:	Antique Brass & Pink Glass
Material:	Glass & Metal
Cable Colour:	Braided Ivory
Shade Included:	Not Required
Primary Bulb Detail:	1 x 60w max ES GLS
Bulb Included:	Lamp not included
Recommended Lamp:	BUL-E27-LED-15
Suitable:	Indoor
Electrical Class:	Class I - Earthed
Nett Weight (kg):	0.6 kg



Additional Information:

Supplied with 120cm of cable