

PLANET

4 Light Pendant Multi Coloured With Bespoke Shade

Inspired by the night sky above and the planets that move through our universe, our handcrafted Planet design is an ode to astronomy and the heavenly bodies. Hand finished in our new inky blue and gold gloss lacquer, we have created a visually unique design that brings the magic of the night sky down to Earth.

Comes complete with baffle.

The Planet comes complete with a Bespoke Fabric Drum shade.

Height is adjustable at the point of installation (40-90cm).

Bulb not included; takes 4 x 60W max ES GLS. We recommend our BUL-E27-LED-17 bulb. [Click here to shop.](#)

Dimmable when paired with suitable bulbs.



Bespoke Shades

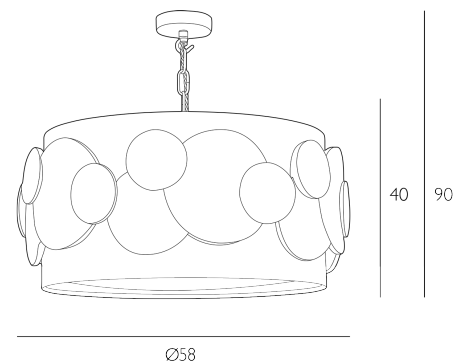
Our high quality fabric shades, hand crafted in our Oxfordshire workshop by our sister brand The Light Shade Studio, with a choice of luxurious fabrics in 100% Dupion Silk, Satin or Linen in an array of shapes, sizes, and colours. If you would like to supply your own fabric, then please contact us to discuss your personalised requirements. Customise your shade by using our product configurator to see your design before placing an order.

Returns

As our bespoke or customised fittings are made to your specific specification, these are not covered by our standard returns policy. We are unable to offer refunds after the initial 24 hour cooling off period. Please see our Terms and Conditions for more details. None of the above affects your statutory rights where goods are faulty or not as described.

SPECIFICATIONS:

Product code:	PLN049B
Measurements:	H min40 - max90 x Ø58cm
Primary Associated Shade:	WIL40
Finish:	Multi Coloured
Material:	Resin
Cable Colour:	Braided Black
Shade Included:	Shade Inc
Primary Bulb Detail:	4 x 60w max ES GLS
Bulb Included:	Lamps not included
Recommended Lamp:	BUL-E27-LED-17
Suitable:	Indoor
Electrical Class:	Class I - Earthed
Nett Weight (kg):	8.2 kg
	⚡ HIA



Additional Information:

This fitting, including its packaging, may not fit through entryways less than 65cm wide. Please check before placing your order | Please be aware this fitting weighs 8.2kg, please ensure you have adequate fixings and support to raise and install this fitting in the intended location

www.davidhuntlighting.co.uk

| *sales@davidhuntlighting.co.uk*

| *01295 672 628*