

HYDE

Table Lamp Antique Brass and Bespoke

The Hyde Collection features a contemporary design with a nostalgic nod to mid-century modern composition.

Bulb not included; takes 1 x 60W max SES CNDL. We recommend our BUL-E14-LED-15 bulb. [Click here to shop.](#)

Bespoke Orders

This is a fully customisable product, hand crafted in our workshop located in the Cotswolds. You can contact us directly discuss your unique requirements, or alternatively you can customise your product by using our product configurator to see your design before placing an order.

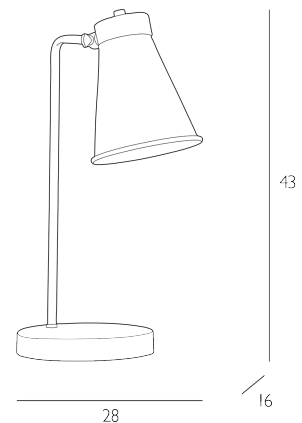
Returns

As our bespoke or customised fittings are made to your specific specification, these are not covered by our standard returns policy. We are unable to offer refunds after the initial 24 hour cooling off period. Please see our [Terms and Conditions](#) for more details. None of the above affects your statutory rights where goods are faulty or not as described.



SPECIFICATIONS:

Product code:	HYD4175
Measurements:	H50 x Ø16cm
Fixing Plate Dimensions:	Ø16cm
Lamp Replaceable:	Yes
Finish:	Antique Brass & Bespoke
Material:	Metal & Solid Brass
Cable Colour:	Braided Ivory
Shade Included:	Not Required
Primary Bulb Detail:	1 x 60w max SES CNDL
Bulb Included:	Lamp not included
Recommended Lamp:	BUL-E14-LED-15
Suitable:	Indoor
Electrical Class:	Class 1 - Earthed
Nett Weight (kg):	1.3 kg
	±



Additional Information:

Solid Brass Metalwork | Lamp not included. We recommend our BUL-E14-LED-15 bulb