

## HYDE

### *2 Light Wall Light Butter Brass and Bespoke*

The Hyde Collection features a contemporary design with a nostalgic nod to mid-century modern composition.

Bulb not included; takes 2 x 40W max SES GB. We recommend our BUL-E14-LED-15 bulb. [Click here to shop.](#)

Dimmable when paired with suitable bulbs.

#### Bespoke Orders

This is a fully customisable product, hand crafted in our workshop located in the Cotswolds. You can contact us directly discuss your unique requirements, or alternatively you can customise your product by using our product configurator to see your design before placing an order.

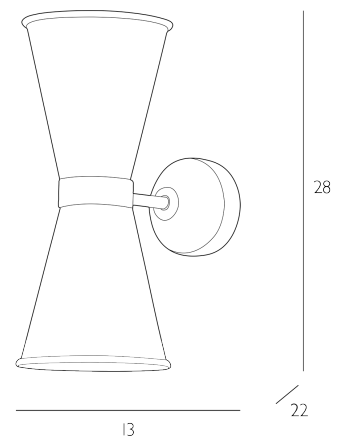
#### Returns

As our bespoke or customised fittings are made to your specific specification, these are not covered by our standard returns policy. We are unable to offer refunds after the initial 24 hour cooling off period. Please see our [Terms and Conditions](#) for more details. None of the above affects your statutory rights where goods are faulty or not as described.



## SPECIFICATIONS:

|                          |                         |
|--------------------------|-------------------------|
| Product code:            | HYD0941                 |
| Measurements:            | D22 x H28 x W13cm       |
| Fixing Plate Dimensions: | H2.5 x Ø8cm             |
| Lamp Replaceable:        | Yes                     |
| Finish:                  | Bespoke & Brushed Brass |
| Material:                | Metal & Solid Brass     |
| Shade Included:          | Not Required            |
| Primary Bulb Detail:     | 2 x 40w max SES GB      |
| Bulb Included:           | Lamps not included      |
| Recommended Lamp:        | BUL-E14-LED-15          |
| Suitable:                | Indoor                  |
| Electrical Class:        | Class 1 - Earthed       |
| Nett Weight (kg):        | 1.5 kg                  |
|                          | ⚡                       |



### ***Additional Information:***

Solid Brass Metalwork | Lamps not included. We recommend our BUL-E14-LED-15 bulb