

HYDE

Wall Light Antique Brass

The Hyde Collection features a contemporary design with a nostalgic nod to mid-century modern composition. Made with the finest solid brass framework this quirky wall light is completed with hand spun metal shades. The metal work is available in either our polished chrome, smooth butter brass or rich antique brass finishes. Each shade is sprayed by hand in a matt painted finish and is available in any of our beautiful palette of heritage inspired paint colours. All of the colourways will engineer timeless style into any design scheme.

Bulb not included; takes 1 x 40W max SES GB. We recommend our BUL-E14-LED-15 bulb. [Click here to shop.](#)

Dimmable when paired with suitable bulbs.



Bespoke Orders

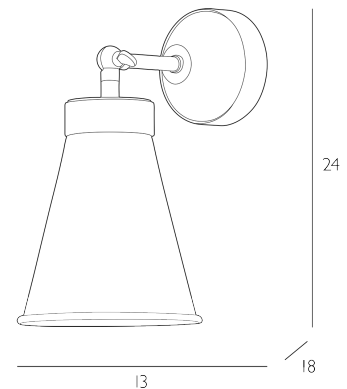
This is a fully customisable product, hand crafted in our workshop located in the Cotswolds. You can contact us directly discuss your unique requirements, or alternatively you can customise your product by using our product configurator to see your design before placing an order.

Returns

As our bespoke or customised fittings are made to your specific specification, these are not covered by our standard returns policy. We are unable to offer refunds after the initial 24 hour cooling off period. Please see our Terms and Conditions for more details. None of the above affects your statutory rights where goods are faulty or not as described.

SPECIFICATIONS:

Product code:	HYD0775
Measurements:	D18 x H24 x W13cm
Fixing Plate Dimensions:	Ø8cm
Lamp Replaceable:	Yes
Finish:	Antique Brass & Bespoke
Material:	Metal & Solid Brass
Shade Included:	Not Required
Primary Bulb Detail:	1 x 40w max SES GB
Bulb Included:	Lamp not included
Recommended Lamp:	BUL-E14-LED-15
Suitable:	Indoor
Electrical Class:	Class I - Earthed
Nett Weight (kg):	1.4 kg
	⚡



Additional Information:

Solid Brass Metalwork | Lamp not included. We recommend our BUL-EI 4-LED-15 bulb

www.davidhuntlighting.co.uk

sales@davidhuntlighting.co.uk

01295 672 628