

## JOLYON

### *6 Light Pendant Brushed Brass and Bespoke*

Crafted with a brushed brass frame and adorned with a frosted acrylic diffuser and a choice of bespoke fabric, this pendant exudes contemporary charm while casting a gentle, inviting radiance. The Jolyon Pendant offers the perfect balance between style and functionality, with its sleek 40cm diameter and adjustable height, ensuring adaptability to various room configurations. Its minimum height of 43cm even makes it a superb choice for rooms with lower ceilings. Hang it gracefully over a kitchen island or dining table, or use it as mood lighting wherever you seek to create an atmospheric ambiance. Please note that the Jolyon Pendant requires 6 ES (E27) GLS lamps, which are not included.

Height is adjustable at the point of installation (43-165cm).

Bulb not included; takes 6 x 11W max ES GLS. We recommend our BUL-E27-LED-17 bulb. [Click here to shop.](#)

Dimmable when paired with suitable bulbs.

#### Bespoke Orders

This is a fully customisable product, hand crafted in our workshop located in the Cotswolds. You can contact us directly discuss your unique requirements, or alternatively you can customise your product by using our product configurator to see your design before placing an order.

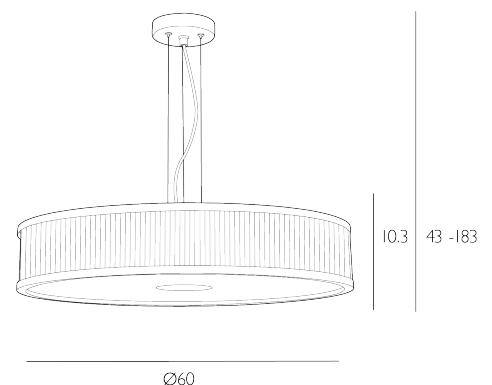
#### Returns

As our bespoke or customised fittings are made to your specific specification, these are not covered by our standard returns policy. We are unable to offer refunds after the initial 24 hour cooling off period. Please see our [Terms and Conditions](#) for more details. None of the above affects your statutory rights where goods are faulty or not as described.



## SPECIFICATIONS:

Product code:	JOL1740
Measurements:	H min43 - max165 x Ø60cm
Fixing Plate Dimensions:	H2.5 x Ø12cm
Shade Dimensions:	H10 x Ø60cm
Lamp Replaceable:	Yes
Finish:	Bespoke & Brushed Brass
Material:	Fabric & Metal
Cable Colour:	Clear
Shade Included:	Not Required
Primary Bulb Detail:	6 x 11w max ES GLS
Bulb Included:	Lamps not included
Recommended Lamp:	BUL-E27-LED-17
Suitable:	Indoor



Electrical Class: Class I - Earthed  
Nett Weight (kg): 3.4 kg  
⚡

***Additional Information:***

Supplied with 150cm of cable

[www.davidhuntlighting.co.uk](http://www.davidhuntlighting.co.uk)

| [sales@davidhuntlighting.co.uk](mailto:sales@davidhuntlighting.co.uk)

| 01295 672 628