

WACO

1 Light E27 Suspension Antique Copper Matt Black

The Waco single pendant suspension features a solid die cast lamp holder in antique copper with a knurled shade ring. The metre of black fabric cable can be shortened on installation.

The Waco single pendant suspension looks great here using one of our vintage LED lamps, take a look at our for the full range. But with the E27 (ES) sized shade ring it can take any of our looking great with glass or fabric shades.


Height is adjustable at the point of installation (18-110cm).

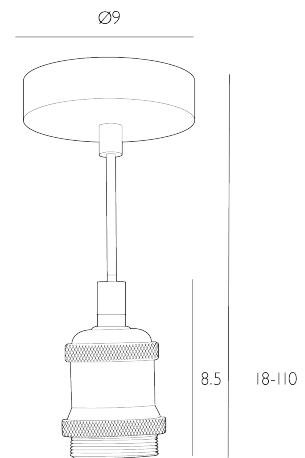
Bulb not included; takes 1 x 60W max ES GLS

Dimmable when paired with suitable bulbs.



SPECIFICATIONS:

Product code:	WAC0164
Measurements:	H min 18 - max 110 x Ø9cm
Fixing Plate Dimensions:	H2.5 x Ø9cm
Primary Associated Shade:	AIS6503
Lamp Replaceable:	Yes
Finish:	Antique Copper & Matt Black
Material:	Metal
Cable Colour:	Braided Black
Shade Included:	Not Required
Primary Bulb Detail:	1 x 60w max ES GLS
Bulb Included:	Lamp not included
Suitable:	Indoor
Electrical Class:	Class 2 - Double Insulated
Nett Weight (kg):	0.3 kg
	



Additional Information:

Supplied with 100cm of cable