

WACO

1 Light E27 Suspension Black Chrome Matt Black

The Waco single pendant suspension features a solid die cast lamp holder in antique chrome with a knurled shade ring. The metre of black fabric cable can be shortened on installation.

The Waco single pendant suspension looks great here using one of our vintage LED lamps, take a look at our for the full range. But with the E27 (ES) sized shade ring it can take any of our looking great with glass or fabric shades.

Height is adjustable at the point of installation (18-110cm).

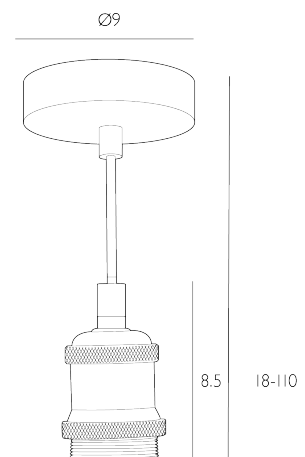
Bulb not included; takes 1 x 60W max ES GLS

Dimmable when paired with suitable bulbs.



SPECIFICATIONS:

| | |
|---------------------------|---|
| Product code: | WAC0161 |
| Measurements: | H min 18 - max 110 x Ø9cm |
| Fixing Plate Dimensions: | H2.5 x Ø9cm |
| Primary Associated Shade: | AIS6503 |
| Lamp Replaceable: | Yes |
| Finish: | Matt Black & Polished Black Chrome |
| Material: | Metal |
| Cable Colour: | Braided Black |
| Shade Included: | Not Required |
| Primary Bulb Detail: | 1 x 60w max ES GLS |
| Bulb Included: | Lamp not included |
| Suitable: | Indoor |
| Electrical Class: | Class 2 - Double Insulated |
| Nett Weight (kg): | 0.3 kg |
| |  |



Additional Information:

Supplied with 100cm of cable