

## REX

### *8 Light Armed Pendant Satin Bronze With Bespoke Shade*

Contemporary oval tubes are complemented by beautiful curves to create a versatile range suited to both hospitality and domestic use. The Rex 8 light ceiling pendant in Bronze is sold complete with shades and metallic lining in a bronze colourway.

The Rex comes complete with a Bespoke Fabric Drum shade. Height is adjustable at the point of installation (38-140cm). Bulb not included; takes 8 x 40W max SES GB. We recommend our BUL-E14-LED-15 bulb. [Click here to shop.](#) Dimmable when paired with suitable bulbs.

#### Bespoke Shades

Our high quality fabric shades, hand crafted in our Oxfordshire workshop by our sister brand The Light Shade Studio, with a choice of luxurious fabrics in 100% Dupion Silk, Satin or Linen in an array of shapes, sizes, and colours. If you would like to supply your own fabric, then please contact us to discuss your personalised requirements. Customise your shade by using our product configurator to see your design before placing an order.

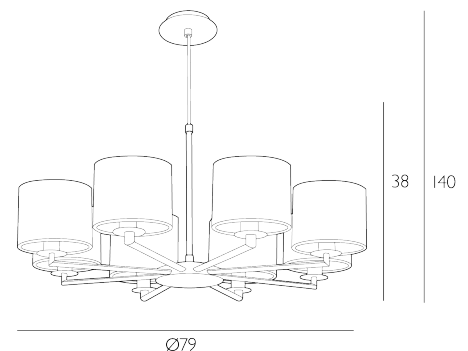
#### Returns

As our bespoke or customised fittings are made to your specific specification, these are not covered by our standard returns policy. We are unable to offer refunds after the initial 24 hour cooling off period. Please see our [Terms and Conditions](#) for more details. None of the above affects your statutory rights where goods are faulty or not as described.



## SPECIFICATIONS:

Product code:	REX0863
Measurements:	H min38 - max140 x Ø64cm
Finish:	Satin Bronze
Material:	Metal
Cable Colour:	Braided Black
Shade Included:	Shade Inc
Primary Bulb Detail:	8 x 40w max SES GB
Bulb Included:	Lamps not included
Recommended Lamp:	BUL-E14-LED-15
Suitable:	Indoor
Electrical Class:	Class I - Earthed
Nett Weight (kg):	3.4 kg
	± 0.1



***Additional Information:***

Lamps not included. We recommend our BUL-E14-LED-15 bulb | Supplied with Bespoke Fabric shade | Height is adjustable at the point of installation (38-140cm)

*www.davidhuntlighting.co.uk*

| *sales@davidhuntlighting.co.uk*

| *01295 672 628*