

GATSBY

Bespoke Fabric Drum Shade 50cm

Inspired by the iconic era of 1920s New York, the Gatsby is an opulent pendant shade handmade in Britain. Finished with luxurious high-quality fringe in ivory or warm grey; the Gatsby fringed shade is available with three metallic lining options. Choose from a warm coppery bronze, a lavish gold or a cool silver metallic laminate. The shade is designed for use as a pendant and is compatible with a variety of electrified suspensions. The versatile Gatsby lampshade can be used with a standard batten lampholder unit or our single electrified suspension and 3 light suspension (See SP0350) . Alternatively for areas with restricted ceiling height, the Gatsby shade can be teamed with our new semi flush 3 light suspension SF5350. The Gatsby can also be used with an optional floating baffle in a coordinating fabric of your choice. All accessories are available to be purchased separately.



Bespoke Shades

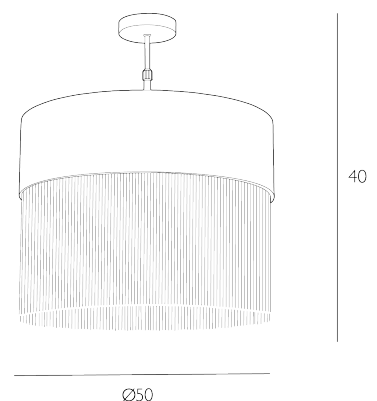
Our high quality fabric shades, hand crafted in our Oxfordshire workshop by our sister brand The Light Shade Studio, with a choice of luxurious fabrics in 100% Dupion Silk, Satin or Linen in an array of shapes, sizes, and colours. If you would like to supply your own fabric, then please contact us to discuss your personalised requirements. Customise your shade by using our product configurator to see your design before placing an order.

Returns

As our bespoke or customised fittings are made to your specific specification, these are not covered by our standard returns policy. We are unable to offer refunds after the initial 24 hour cooling off period. Please see our Terms and Conditions for more details. None of the above affects your statutory rights where goods are faulty or not as described.

SPECIFICATIONS:

Product code:	GAT50
Measurements:	H40 x Ø50cm
Finish:	Bespoke
Material:	Fabric
Shade Included:	Shade Only
Suitable:	Indoor
Nett Weight (kg):	0 kg



Additional Information:

Supplied with Bespoke Fabric shade

www.davidhuntlighting.co.uk

| sales@davidhuntlighting.co.uk

| 01295 672 628