

## ELLINGTON

### *3 Light Pendant Polished Chrome With Bespoke Shade*

This versatile and simple elegance of the Ellington 50cm three light pendant creates a statement in any contemporary interior setting. The light is supplied with a frosted, acrylic diffuser which neatly sits at the base of the shade, giving a beautifully diffused effect onto the area below.

The Ellington comes complete with a bespoke fabric shade.

The Ellington comes complete with a Bespoke Fabric Drum shade.

Height is adjustable at the point of installation (37-300cm).

Bulb not included; takes 3 x 60W max ES GLS. We recommend our BUL-E27-LED-17 bulb. [Click here to shop.](#)

Dimmable when paired with suitable bulbs.



#### Bespoke Shades

Our high quality fabric shades, hand crafted in our Oxfordshire workshop by our sister brand The Light Shade Studio, with a choice of luxurious fabrics in 100% Dupion Silk, Satin or Linen in an array of shapes, sizes, and colours. If you would like to supply your own fabric, then please contact us to discuss your personalised requirements. Customise your shade by using our product configurator to see your design before placing an order.

#### Returns

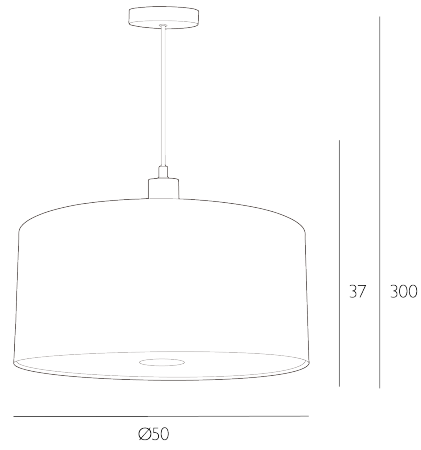
As our bespoke or customised fittings are made to your specific specification, these are not covered by our standard returns policy. We are unable to offer refunds after the initial 24 hour cooling off period. Please see our [Terms and Conditions](#) for more details. None of the above affects your statutory rights where goods are faulty or not as described.

---

## SPECIFICATIONS:

Product code:	ELL15
Measurements:	H min37 - max300 x Ø50cm
Shade Dimensions:	H20 x Ø50cm
Lamp Replaceable:	Yes
Finish:	Polished Chrome
Material:	Fabric & Metal
Cable Colour:	Clear
Shade Included:	Shade Inc
Primary Bulb Detail:	3 x 60w max ES GLS
Bulb Included:	Lamps not included
Recommended Lamp:	BUL-E27-LED-17
Suitable:	Indoor
Electrical Class:	Class I - Earthed
Nett Weight (kg):	1.5 kg

± H/A



***Additional Information:***

Lamps not included. We recommend our BUL-E27-LED-17 bulb | Supplied with Bespoke Fabric shade | Height is adjustable at the point of installation (37-300cm)

[www.davidhuntlighting.co.uk](http://www.davidhuntlighting.co.uk)

| [sales@davidhuntlighting.co.uk](mailto:sales@davidhuntlighting.co.uk)

| 01295 672 628