

BERMUDA

2 Light Wall Light Aged Brass Bracket Only

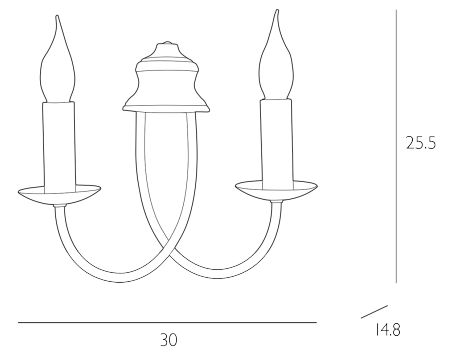
Bermuda double wall light in aged brass.

The Bermuda is sold as a fitting only; shades are sold separately. We recommend our ROH07 shade. [Click here to shop.](#)
Bulb not included; takes 2 x 40W max SES CNDL. We recommend our BUL-E14-LED-13 bulb. [Click here to shop.](#)
Dimmable when paired with suitable bulbs.



SPECIFICATIONS:

Product code:	BEM0958
Measurements:	D15 x H26 x W30cm
Fixing Plate Dimensions:	D5 x H9 x W10cm
Primary Associated Shade:	ROH07
Lamp Replaceable:	Yes
Finish:	Aged Brass
Material:	Solid Brass
Shade Included:	Bracket Only
Primary Bulb Detail:	2 x 40w max SES CNDL
Bulb Included:	Lamps not included
Recommended Lamp:	BUL-E14-LED-13
Suitable:	Indoor
Electrical Class:	Class 2 - Double Insulated
Nett Weight (kg):	0.8 kg



Additional Information:

Solid Brass Metalwork | Lamps not included. We recommend our BUL-E14-LED-13 bulb | Shade not included; sold as bracket only. We recommend our ROH07 shade