

CHISWICK

Pendant Antique Brass With Bespoke Shade

The Chiswick shaded pendant combines an angular aesthetic with the softness of our bespoke shade. Shown here with our Almond Cream Satin Shade.

The Chiswick comes complete with a Bespoke Fabric Cylinder shade. Height is adjustable at the point of installation (56-106cm).

Bulb not included; takes 1 x 60W max ES GLS. We recommend our BUL-E27-LED-17 bulb. [Click here to shop.](#)

Dimmable when paired with suitable bulbs.

Bespoke Shades

Our high quality fabric shades, hand crafted in our Oxfordshire workshop by our sister brand The Light Shade Studio, with a choice of luxurious fabrics in 100% Dupion Silk, Satin or Linen in an array of shapes, sizes, and colours. If you would like to supply your own fabric, then please contact us to discuss your personalised requirements. Customise your shade by using our product configurator to see your design before placing an order.

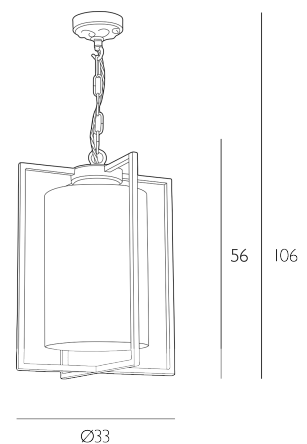
Returns

As our bespoke or customised fittings are made to your specific specification, these are not covered by our standard returns policy. We are unable to offer refunds after the initial 24 hour cooling off period. Please see our [Terms and Conditions](#) for more details. None of the above affects your statutory rights where goods are faulty or not as described.



SPECIFICATIONS:

Product code:	CHI0175
Measurements:	H min56 - max106 x Ø33cm
Primary Associated Shade:	DRT20
Lamp Replaceable:	Yes
Finish:	Antique Brass
Material:	Metal
Cable Colour:	Braided Brown
Shade Included:	Shade Inc
Primary Bulb Detail:	1 x 60w max ES GLS
Bulb Included:	Lamp not included
Recommended Lamp:	BUL-E27-LED-17
Suitable:	Indoor
Electrical Class:	Class I - Earthed
Nett Weight (kg):	3.4 kg
	⚡ HIA



Additional Information:

Supplied with 120cm of cable

www.davidhuntlighting.co.uk

sales@davidhuntlighting.co.uk

01295 672 628