

## DEXTER

### *Pendant Bespoke*

A sleek on-trend design with a nod to industrial fittings; metal shade outer painted in bespoke finish with matching ceiling cup. Shade inner finish and cable can be specified on ordering.

Height is adjustable at the point of installation (25-125cm).

Bulb not included; takes 1 x 60W max ES GLS. We recommend our BUL-E27-LED-17 bulb. [Click here to shop.](#)

Dimmable when paired with suitable bulbs.

#### Bespoke Orders

This is a fully customisable product, hand crafted in our workshop located in the Cotswolds. You can contact us directly discuss your unique requirements, or alternatively you can customise your product by using our product configurator to see your design before placing an order.

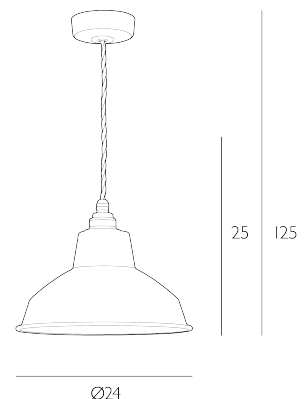
#### Returns

As our bespoke or customised fittings are made to your specific specification, these are not covered by our standard returns policy. We are unable to offer refunds after the initial 24 hour cooling off period. Please see our Terms and Conditions for more details. None of the above affects your statutory rights where goods are faulty or not as described.



## SPECIFICATIONS:

Product code:	DEX0199
Measurements:	H min25 - max125 x Ø24cm
Lamp Replaceable:	Yes
Finish:	Bespoke
Material:	Metal
Shade Included:	Not Required
Primary Bulb Detail:	1 x 60w max ES GLS
Bulb Included:	Lamp not included
Recommended Lamp:	BUL-E27-LED-17
Suitable:	Indoor
Electrical Class:	Class 1 - Earthed
Nett Weight (kg):	0.9 kg
	⚡ HIA



### *Additional Information:*

Supplied with 120cm of cable

