

HERRIOT

Wall Light Bronze Bracket Only

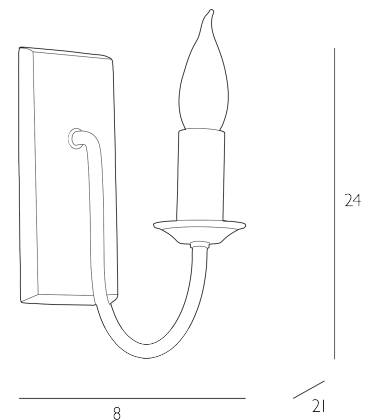
Herriot single resin wall light in polished bronze with a textured stone effect tapered rectangular backplate and coordinating distressed metal work. This versatile wall bracket can be used with a candle lamp or with a variety of optional bespoke clip shades, available to purchase separately. Featured is our elegant rolled edge Rohan and Byron candle clip shades in our taupe 100% silk fabric.

The Herriot is sold as a fitting only; shades are sold separately. We recommend our ROH07 shade. Click here to shop.
Bulb not included; takes 1 x 40W max SES CNDL. We recommend our BUL-E14-LED-13 bulb. Click here to shop.
Dimmable when paired with suitable bulbs.



SPECIFICATIONS:

| | |
|---------------------------|----------------------------------|
| Product code: | HER0763 |
| Measurements: | D21 x H24 x W8cm |
| Fixing Plate Dimensions: | D1.5 x H19 x W8cm |
| Dimension With Shade: | D26 x H26 x W16.5cm |
| Primary Associated Shade: | ROH07 |
| Lamp Replaceable: | Yes |
| Finish: | Antique Bronze & Polished Bronze |
| Material: | Resin & Solid Brass |
| Shade Included: | Bracket Only |
| Primary Bulb Detail: | 1 x 40w max SES CNDL |
| Bulb Included: | Lamp not included |
| Recommended Lamp: | BUL-E14-LED-13 |
| Suitable: | Indoor |
| Electrical Class: | Class 2 - Double Insulated |
| Nett Weight (kg): | 0.6 kg |
| | ☐ |



Additional Information:

Solid Brass Metalwork | Lamp not included. We recommend our BUL-E14-LED-13 bulb | Shade not included; sold as bracket only. We recommend our ROH07 shade