

## HERRIOT

### *Wall Light Pewter Bracket Only*

Herriot single resin wall light in Antique Pewter with a textured stone effect tapered rectangular backplate and coordinating distressed metal work. This versatile wall bracket can be used with a candle lamp or with a variety of optional bespoke clip shades, available to purchase separately. You can use both our elegant rolled edge Rohan and Byron candle clip shades on Herriot. Shown here with our elegant rolled edge Rohan shade in Slate Grey Linen with silver metallic lining. Alternatively the Herriot wall light can be used with our Byron shade in linen.

The Herriot is sold as a fitting only; shades are sold separately.

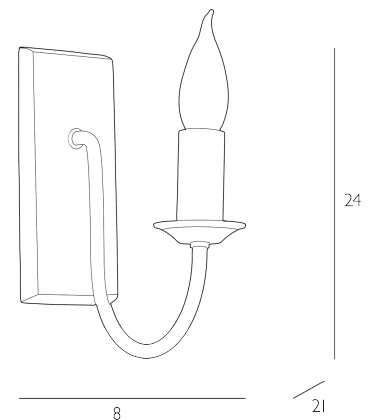
Bulb not included; takes 1 x 40W max SES CNDL. We recommend our BUL-EI4-LED-I4 bulb. [Click here to shop.](#)

Dimmable when paired with suitable bulbs.



## SPECIFICATIONS:

Product code:	HER0767
Measurements:	D21 x H24 x W8cm
Fixing Plate Dimensions:	D1.5 x H19 x W8cm
Dimension With Shade:	D26 x H26 x W16.5cm
Lamp Replaceable:	Yes
Finish:	Antique Pewter
Material:	Metal & Resin
Shade Included:	Bracket Only
Primary Bulb Detail:	1 x 40w max SES CNDL
Bulb Included:	Lamp not included
Recommended Lamp:	BUL-EI4-LED-I4
Suitable:	Indoor
Electrical Class:	Class 2 - Double Insulated
Nett Weight (kg):	0.6 kg



### *Additional Information:*

Lamp not included. We recommend our BUL-EI4-LED-I4 bulb | Shade not included; sold as bracket only