

## HUNTER

### *Wall Light Butter Brass With Bespoke Shade*

An original collection of lighting with a distinctive woven leather effect finish and butter brass metal work.

The Hunter comes complete with a Bespoke Fabric Cylinder shade. Bulb not included; takes 1 x 40W max SES GB. We recommend our BUL-E14-LED-15 bulb. [Click here to shop.](#) Dimmable when paired with suitable bulbs.

#### Bespoke Shades

Our high quality fabric shades, hand crafted in our Oxfordshire workshop by our sister brand The Light Shade Studio, with a choice of luxurious fabrics in 100% Dupion Silk, Satin or Linen in an array of shapes, sizes, and colours. If you would like to supply your own fabric, then please contact us to discuss your personalised requirements. Customise your shade by using our product configurator to see your design before placing an order.

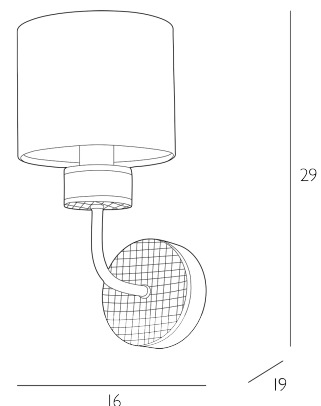
#### Returns

As our bespoke or customised fittings are made to your specific specification, these are not covered by our standard returns policy. We are unable to offer refunds after the initial 24 hour cooling off period. Please see our [Terms and Conditions](#) for more details. None of the above affects your statutory rights where goods are faulty or not as described.



## SPECIFICATIONS:

Product code:	HUN0740
Measurements:	D19 x H29 x W16cm
Fixing Plate Dimensions:	Ø10cm
Primary Associated Shade:	S0699
Lamp Replaceable:	Yes
Finish:	Brushed Brass & Matt Leather Effect
Material:	Resin & Solid Brass
Shade Included:	Shade Inc
Primary Bulb Detail:	1 x 40w max SES GB
Bulb Included:	Lamp not included
Recommended Lamp:	BUL-E14-LED-15
Suitable:	Indoor
Electrical Class:	Class 1 - Earthed
Nett Weight (kg):	0.8 kg
	±



***Additional Information:***

Solid Brass Metalwork | Lamp not included. We recommend our BUL-EI 4-LED-15 bulb | Supplied with Bespoke Fabric shade

*www.davidhuntlighting.co.uk*

*sales@davidhuntlighting.co.uk*

*01295 672 628*