

HYDE

2 Light Wall Light Bespoke

The Hyde Collection features a contemporary design with a nostalgic nod to mid-century modern composition.

Bulb not included; takes 2 x 40W max SES GB. We recommend our BUL-E14-LED-15 bulb. [Click here to shop.](#)

Dimmable when paired with suitable bulbs.

Bespoke Orders

This is a fully customisable product, hand crafted in our workshop located in the Cotswolds. You can contact us directly discuss your unique requirements, or alternatively you can customise your product by using our product configurator to see your design before placing an order.

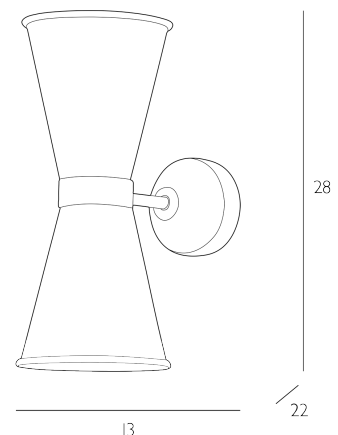
Returns

As our bespoke or customised fittings are made to your specific specification, these are not covered by our standard returns policy. We are unable to offer refunds after the initial 24 hour cooling off period. Please see our Terms and Conditions for more details. None of the above affects your statutory rights where goods are faulty or not as described.



SPECIFICATIONS:

Product code:	HYD09
Measurements:	D22 x H28 x W13cm
Fixing Plate Dimensions:	H2.5 x Ø8cm
Lamp Replaceable:	Yes
Finish:	Bespoke
Material:	Metal & Solid Brass
Shade Included:	Not Required
Primary Bulb Detail:	2 x 40w max SES GB
Bulb Included:	Lamps not included
Recommended Lamp:	BUL-E14-LED-15
Suitable:	Indoor
Electrical Class:	Class 1 - Earthed
Nett Weight (kg):	1.5 kg
	⚡



Additional Information:

Solid Brass Metalwork | Lamps not included. We recommend our BUL-E14-LED-15 bulb