

PIMLICO

Wall Light Antique Brass Bracket Only

A gloriously traditional wall light in solid brass with an antique finish with piped edge detailing and a useful adjustable arm.

The Pimlico is sold as a fitting only; shades are sold separately. We recommend our EMP20 shade. [Click here to shop.](#)

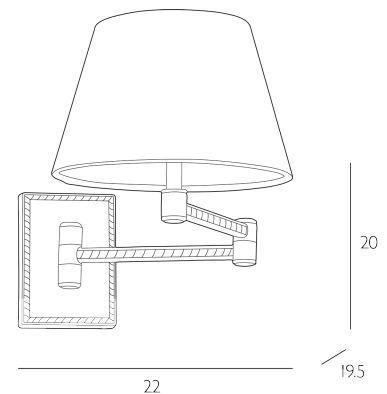
Bulb not included; takes 1 x 40W max BC GB. We recommend our BUL-B22-LED-3 bulb. [Click here to shop.](#)

Dimmable when paired with suitable bulbs.



SPECIFICATIONS:

Product code:	PIM0775
Measurements:	D10 x H20 x W22cm
Fixing Plate Dimensions:	D2.5 x H13 x W9.5cm
Primary Associated Shade:	EMP20
Lamp Replaceable:	Yes
Finish:	Antique Brass
Material:	Solid Brass
Shade Included:	Bracket Only
Primary Bulb Detail:	1 x 40w max B22 GB
Bulb Included:	Lamp not included
Recommended Lamp:	BUL-B22-LED-3
Suitable:	Indoor
Electrical Class:	Class I - Earthed
Nett Weight (kg):	1 kg
	⚡



Additional Information:

Solid Brass Metalwork | Lamp not included. We recommend our BUL-B22-LED-3 bulb | Shade not included; sold as bracket only. We recommend our EMP20 shade