

RECLAMATION

Pendant Bespoke

Our Reclamation pendant is synonymous with lighting styles found in factories and workshops in the 1930s. The Reclamation fitting demonstrates vintage styling and adds atmosphere to all settings from country interiors to urban spaces. Each pendant has been crafted by hand, using traditional methods of metal spinning, with a rolled edge trim detail. Carefully sprayed by hand in our Cotswolds workshop, the Reclamation is available in our seventeen colour palette of paint finishes. Height is adjustable at the point of installation (40-140cm). Bulb not included; takes 1 x 60W max ES GLOBE. We recommend our BUL-E27-LED-19 bulb. [Click here to shop.](#) Dimmable when paired with suitable bulbs.

Bespoke Orders

This is a fully customisable product, hand crafted in our workshop located in the Cotswolds. You can contact us directly discuss your unique requirements, or alternatively you can customise your product by using our product configurator to see your design before placing an order.

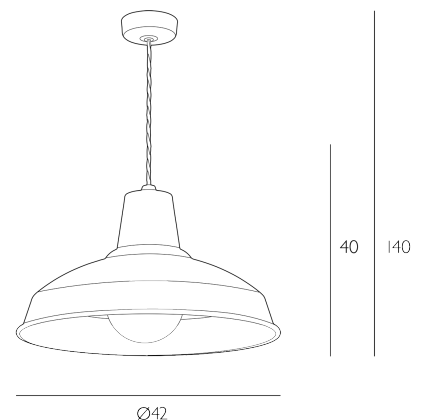
Returns

As our bespoke or customised fittings are made to your specific specification, these are not covered by our standard returns policy. We are unable to offer refunds after the initial 24 hour cooling off period. Please see our Terms and Conditions for more details. None of the above affects your statutory rights where goods are faulty or not as described.



SPECIFICATIONS:

Product code:	REC0199
Measurements:	H min40 - max 140 x Ø42cm
Fixing Plate Dimensions:	H3.5 x Ø9cm
Lamp Replaceable:	Yes
Finish:	Bespoke
Material:	Metal
Shade Included:	Not Required
Primary Bulb Detail:	1 x 60w max ES Globe
Bulb Included:	Lamp not included
Recommended Lamp:	BUL-E27-LED-19
Suitable:	Indoor
Nett Weight (kg):	0.5 kg



Additional Information:

Supplied with 120cm of cable

www.davidhuntlighting.co.uk

| *sales@davidhuntlighting.co.uk*

| *01295 672 628*