

## STOWE

### *Pendant Antique Brass and Smoked Glass*

Stowe I light pendant with hand blown smoked glass and solid antique brass metal work. The fitting is supplied with an extra 50cm of brown braided cable, additional chain available on request.

Height is adjustable at the point of installation (55-105cm).

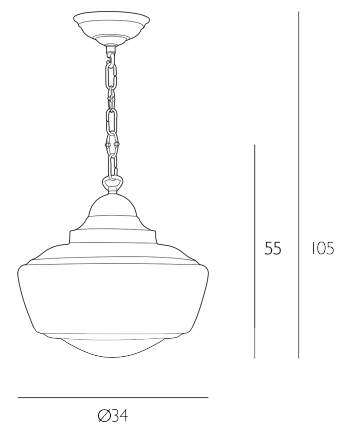
Bulb not included; takes 1 x 40W max ES GLS. We recommend our BUL-E27-LED-15 bulb. [Click here to shop.](#)

Dimmable when paired with suitable bulbs.



## SPECIFICATIONS:

Product code:	STO0110
Measurements:	H min55 - max105 x Ø34cm
Lamp Replaceable:	Yes
Finish:	Antique Brass & Smoked Glass
Material:	Glass & Solid Brass
Shade Included:	Not Required
Primary Bulb Detail:	1 x 40w max ES GLS
Bulb Included:	Lamp not included
Recommended Lamp:	BUL-E27-LED-15
Suitable:	Indoor
Electrical Class:	Class I - Earthed
Nett Weight (kg):	2.2 kg ± 0.1



### *Additional Information:*

Supplied with 100cm of cable