

STOWE

Pendant Satin Chrome and Clear Glass

Stowe I light pendant with hand blown clear glass and solid brass metal work finished in satin chrome. The fitting is supplied with an extra 50cm of silver grey braided cable.

Height is adjustable at the point of installation (55-105cm).

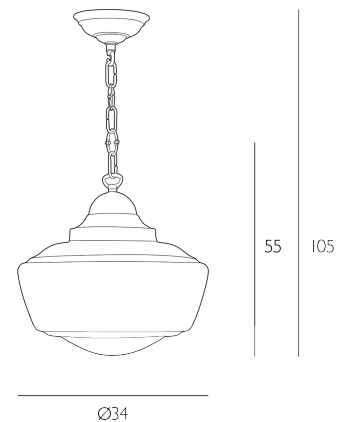
Bulb not included; takes 1 x 40W max ES GLS. We recommend our BUL-E27-LED-16 bulb. [Click here to shop.](#)

Dimmable when paired with suitable bulbs.



SPECIFICATIONS:

| | |
|----------------------|--------------------------|
| Product code: | STO0146 |
| Measurements: | H min55 - max105 x Ø34cm |
| Lamp Replaceable: | Yes |
| Finish: | Glass & Satin Chrome |
| Material: | Glass & Solid Brass |
| Cable Colour: | Braided Silver |
| Shade Included: | Not Required |
| Primary Bulb Detail: | 1 x 40w max ES GLS |
| Bulb Included: | Lamp not included |
| Recommended Lamp: | BUL-E27-LED-16 |
| Suitable: | Indoor |
| Electrical Class: | Class I - Earthed |
| Nett Weight (kg): | 2.2 kg |
| | |



Additional Information:

Supplied with 100cm of cable