

STOWE

Pendant Antique Brass and Glass

Stowe I light pendant with hand blown clear glass and solid antique brass metal work. The fitting is supplied with an extra 50cm of brown braided cable.

Height is adjustable at the point of installation (55-105cm).

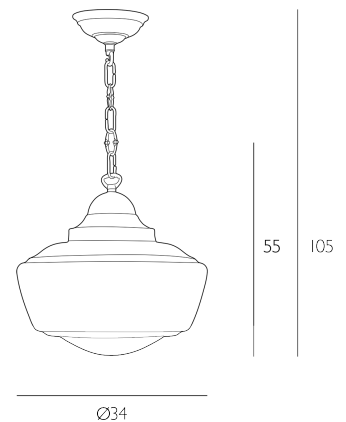
Bulb not included; takes 1 x 40W max SES GLS. We recommend our BUL-E27-LED-15 bulb. [Click here to shop.](#)

Dimmable when paired with suitable bulbs.



SPECIFICATIONS:

Product code:	STO0175
Measurements:	H min55 - max105 x Ø34cm
Lamp Replaceable:	Yes
Finish:	Antique Brass & Glass
Material:	Glass & Solid Brass
Cable Colour:	Braided Brown
Shade Included:	Not Required
Primary Bulb Detail:	1 x 40w max SES GLS
Bulb Included:	Lamp not included
Recommended Lamp:	BUL-E27-LED-15
Suitable:	Indoor
Electrical Class:	Class I - Earthed
Nett Weight (kg):	2.2 kg



Additional Information:

Supplied with 100cm of cable