

JUNO

8 Light Pendant Antique Brass and Amber Glass

Our new Juno collection is a dramatic statement design combining smoked rounded glass with the refined elegance of both butter brass and antique brass working together to create an elegant hybrid finish.

Height is adjustable at the point of installation (40-90cm).

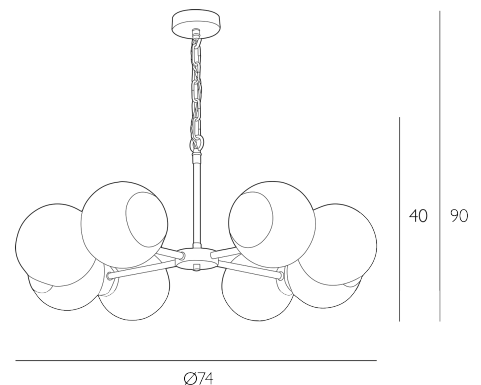
Bulb not included; takes 8 x 60W max ES GLS. We recommend our BUL-E27-LED-16 bulb. [Click here to shop.](#)

Dimmable when paired with suitable bulbs.



SPECIFICATIONS:

Product code:	JNO0875
Measurements:	H min40 - max90 x Ø74cm
Lamp Replaceable:	Yes
Finish:	Amber Glass & Antique Brass
Material:	Glass & Solid Brass
Shade Included:	Not Required
Primary Bulb Detail:	8 x 60w max ES GLS
Bulb Included:	Lamps not included
Recommended Lamp:	BUL-E27-LED-16
Suitable:	Indoor
Electrical Class:	Class I - Earthed
Nett Weight (kg):	3.8 kg ± 0.1



Additional Information:

This fitting, including it's packaging, may not fit through entryways less than 65cm wide. Please check before placing your order