

JOSHUA

6 Light Shadelier Polished Bronze and Polished Bronze With Bespoke Shade

Joshua 6 light pendant in a rich bronze finish. The fitting is supplied with an extra 50cm of cable, additional chain available on request.

The Joshua comes complete with a Bespoke Fabric Drum shade.

Height is adjustable at the point of installation (56-156cm).

Bulb not included; takes 6 x 40W max SES CNDL. We recommend our BUL-E14-LED-13 bulb. [Click here to shop.](#)

Dimmable when paired with suitable bulbs.

Bespoke Shades

Our high quality fabric shades, hand crafted in our Oxfordshire workshop by our sister brand The Light Shade Studio, with a choice of luxurious fabrics in 100% Dupion Silk, Satin or Linen in an array of shapes, sizes, and colours. If you would like to supply your own fabric, then please contact us to discuss your personalised requirements. Customise your shade by using our product configurator to see your design before placing an order.

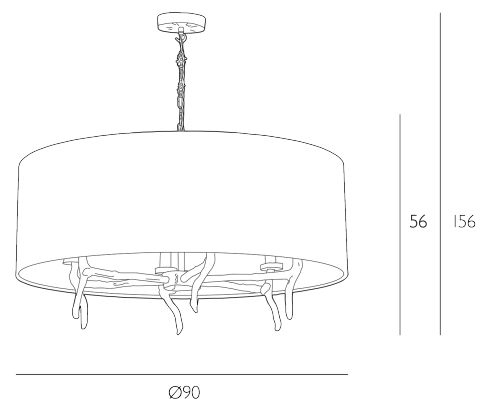
Returns

As our bespoke or customised fittings are made to your specific specification, these are not covered by our standard returns policy. We are unable to offer refunds after the initial 24 hour cooling off period. Please see our [Terms and Conditions](#) for more details. None of the above affects your statutory rights where goods are faulty or not as described.



SPECIFICATIONS:

| | |
|---------------------------|---------------------------|
| Product code: | JOS0699 |
| Measurements: | H min56 - max 156 x Ø90cm |
| Fixing Plate Dimensions: | H4 x Ø13.5cm |
| Shade Dimensions: | H30 x Ø90cm |
| Primary Associated Shade: | SI 699 |
| Lamp Replaceable: | Yes |
| Finish: | Polished Bronze |
| Material: | Resin & Solid Brass |
| Cable Colour: | Braided Brown |
| Shade Included: | Shade Inc |
| Primary Bulb Detail: | 6 x 40w max SES CNDL |
| Bulb Included: | Lamps not included |
| Recommended Lamp: | BUL-E14-LED-13 |
| Suitable: | Indoor |
| Electrical Class: | Class I - Earthed |
| Nett Weight (kg): | 6.8 kg |
| | ⚡ HIA |



Additional Information:

This fitting, including its packaging, may not fit through entryways less than 65cm wide. Please check before placing your order | Please be aware this fitting weighs 6.8kg, please ensure you have adequate fixings and support to raise and install this fitting in the intended location

www.davidhuntlighting.co.uk

| *sales@davidhuntlighting.co.uk*

| *01295 672 628*