

## JOSHUA

### *3 Light Shadelier Polished Bronze and Antique Bronze With Bespoke Shade*

Joshua 3 light pendant in a rich bronze finish. Shown here with our Almond Cream Satin shades and rich bronze lining. The fitting is supplied with an extra 50cm of cable, additional chain available on request.

The Joshua comes complete with a Bespoke Fabric Drum shade.

Height is adjustable at the point of installation (46-96cm).

Bulb not included; takes 3 x 40W max SES CNDL. We recommend our BUL-E14-LED-13 bulb. [Click here to shop.](#)

Dimmable when paired with suitable bulbs.

#### Bespoke Shades

Our high quality fabric shades, hand crafted in our Oxfordshire workshop by our sister brand The Light Shade Studio, with a choice of luxurious fabrics in 100% Dupion Silk, Satin or Linen in an array of shapes, sizes, and colours. If you would like to supply your own fabric, then please contact us to discuss your personalised requirements. Customise your shade by using our product configurator to see your design before placing an order.

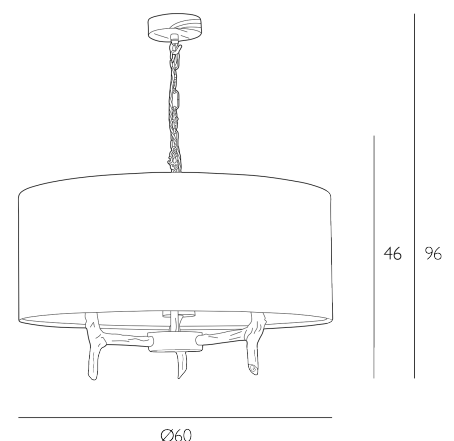
#### Returns

As our bespoke or customised fittings are made to your specific specification, these are not covered by our standard returns policy. We are unable to offer refunds after the initial 24 hour cooling off period. Please see our [Terms and Conditions](#) for more details. None of the above affects your statutory rights where goods are faulty or not as described.



## SPECIFICATIONS:

Product code:	JOS8399
Measurements:	H min46 - max96 x Ø60cm
Primary Associated Shade:	S0599-SI
Lamp Replaceable:	Yes
Finish:	Antique Bronze & Polished Bronze
Material:	Resin & Solid Brass
Cable Colour:	Braided Brown
Shade Included:	Shade Inc
Primary Bulb Detail:	3 x 40w max SES CNDL
Bulb Included:	Lamps not included
Recommended Lamp:	BUL-E14-LED-13
Suitable:	Indoor
Electrical Class:	Class I - Earthed
Nett Weight (kg):	2.2 kg
	⚡ H1A



***Additional Information:***

This fitting, including its packaging, may not fit through entryways less than 65cm wide. Please check before placing your order

*www.davidhuntlighting.co.uk*

| *sales@davidhuntlighting.co.uk*

| *01295 672 628*