

ORB

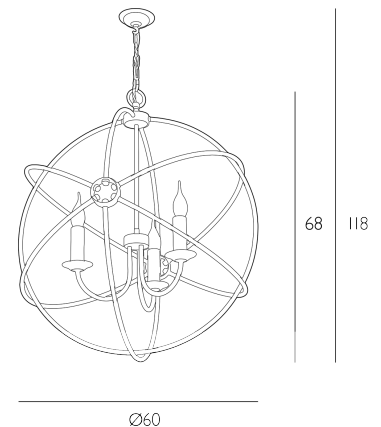
3 Light Pendant Antique Brass Fitting Only

The incredible Orb collection features hand curved solid brass metalwork that encapsulates a striking chandelier. This supernova pendant is complete with an antique brass finish. Shades can also be used with this product, see our natural linen Bryon BYR26 candle clip shades, to be ordered separately. Bryon shades are also available in a choice of stunning fabrics and colours. See our made to order shade collection for further options. Due to the handcrafted nature of this product all dimensions are approximate. This may give an optical illusion when viewed from different angles. The fitting is supplied with an extra 50cm of cable, additional chain available on request. The Orb is sold as a fitting only; shades are sold separately. Height is adjustable at the point of installation (68-118cm). Bulb not included; takes 3 x 40W max SES CNDL. We recommend our BUL-EI4-LED-14 bulb. [Click here to shop.](#) Dimmable when paired with suitable bulbs.



SPECIFICATIONS:

Product code:	ORB0375
Measurements:	H min68 - max118 x Ø60cm
Fixing Plate Dimensions:	H7 x Ø13cm
Primary Associated Shade:	BYR07
Lamp Replaceable:	Yes
Finish:	Antique Brass
Material:	Solid Brass
Cable Colour:	Braided Brown
Shade Included:	Fitting Only
Primary Bulb Detail:	3 x 40w max SES CNDL
Bulb Included:	Lamps not included
Recommended Lamp:	BUL-EI4-LED-14
Suitable:	Indoor
Electrical Class:	Class I - Earthed
Nett Weight (kg):	3.5 kg
	± 5%



Additional Information:

This fitting, including it's packaging, may not fit through entryways less than 65cm wide. Please check before placing your order