

## ORB

### *8 Light Pendant Antique Brass Fitting Only*

The incredible Orb collection features hand curved solid brass metalwork that encapsulates a striking chandelier. This supernova pendant is complete with an antique brass finish. Due to the handcrafted nature of this product all dimensions are approximate. This may give an optical illusion when viewed from different angles.

The Orb is sold as a fitting only; shades are sold separately.

Height is adjustable at the point of installation (130-230cm).

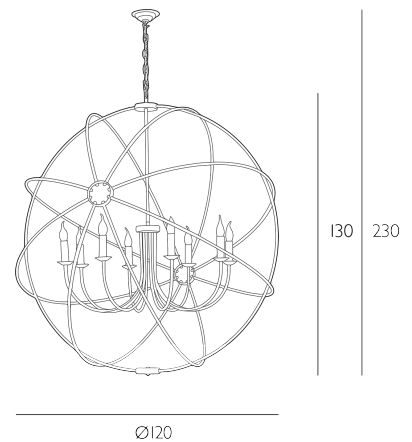
Bulb not included; takes 8 x 60W max SES CNDL. We recommend our BUL-E14-LED-14 bulb. [Click here to shop.](#)

Dimmable when paired with suitable bulbs.



## SPECIFICATIONS:

Product code:	ORB0875
Measurements:	H min 130 - max 230 x Ø120cm
Fixing Plate Dimensions:	H7 x Ø13cm
Lamp Replaceable:	Yes
Finish:	Antique Brass
Material:	Solid Brass
Cable Colour:	Braided Brown
Shade Included:	Fitting Only
Primary Bulb Detail:	8 x 60w max SES CNDL
Bulb Included:	Lamps not included
Recommended Lamp:	BUL-E14-LED-14
Suitable:	Indoor
Electrical Class:	Class I - Earthed
Nett Weight (kg):	10 kg ± 0.1A



### ***Additional Information:***

This fitting, including its packaging, may not fit through entryways less than 65cm wide. Please check before placing your order | Please be aware this fitting weighs 10.0kg, please ensure you have adequate fixings and support to raise and install this fitting in the intended location